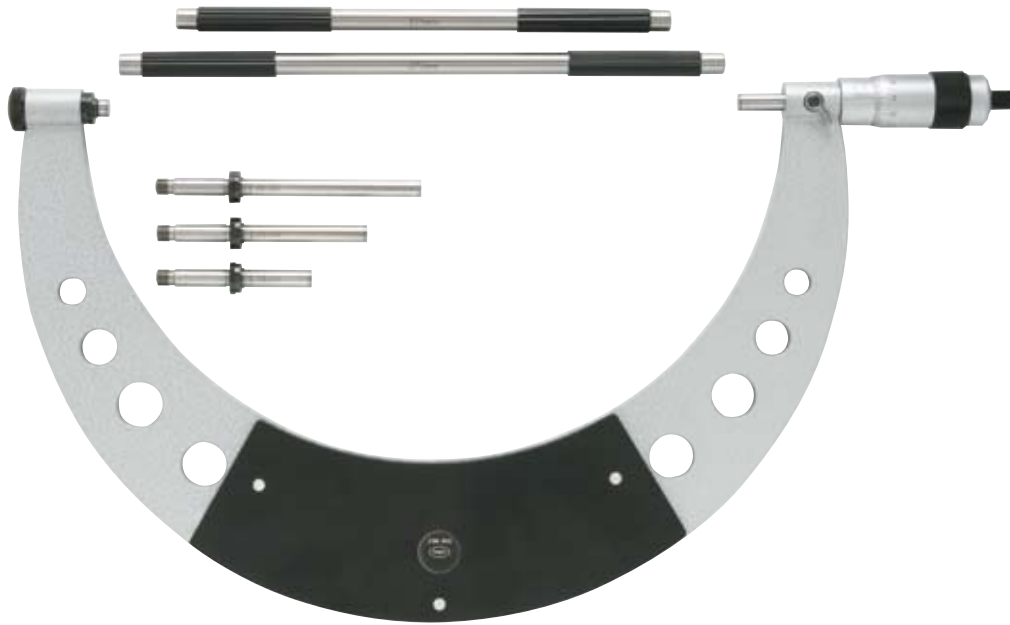


Micrometer 40 W



Features

- Lacquered steel frame
- Spindle and anvil made of hardened steel, carbide tipped
- Scales with satin-chrome finish
- Heat insulators
- Ratchet is integrated in the thimble
- Exchangeable anvils
- Locking device
- Supplied with:
Case, setting standards

Note:

All Micrometers with measuring ranges from 400 mm up to 1000 mm, the frame is made from a steel tube

Technical Data

Measuring range mm	Readings mm	Error limit G μm	Spindle thread pitch mm	Order no.
0 - 100	0.01	5	1	4137500
100 - 200	0.01	7	1	4137501
200 - 300	0.01	9	1	4137502
300 - 400	0.01	11	1	4137503
400 - 500	0.01	13	1	4137504
500 - 600	0.01	21	1	4137505
600 - 700	0.01	23	1	4137506
700 - 800	0.01	26	1	4137507
800 - 900	0.01	28	1	4137508
900 - 1000	0.01	30	1	4137509

Dimensions

Dimensions in mm

Measuring range	a	b
0 - 100	117.5	59
100 - 200	217.5	109
200 - 300	317.5	159
300 - 400	417.5	209
400 - 500	517.5	259
500 - 600	617.5	309
600 - 700	717.5	360
700 - 800	817.5	410
800 - 900	917.5	460
900 - 1000	1017.5	510

