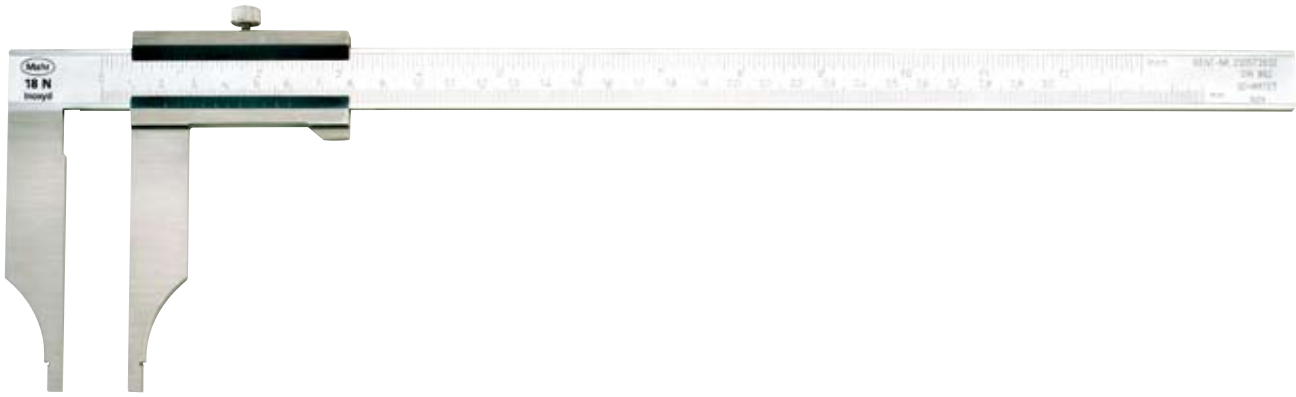


## Vernier Caliper 18 N

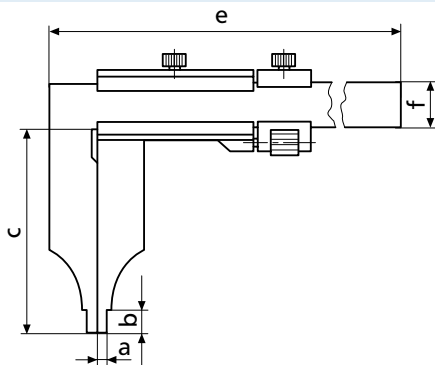


### Features

- Vernier and main scale have a satin chrome finish for glare free reading
- Slide and beam made of hardened stainless steel
- Rounded measuring faces for inside measurement
- Supplied with: up to 1000 mm delivered with a case, over 1000 mm individually packed
- Raised guide ways for the protection of the scale
- Locking screw

### Technical Data

Measuring range mm (inch)	Resolution		Error limit G mm	Order no. without fine adjustment	Order no. with fine adjustment
	upper	lower			
200	0.02 mm	0.02 mm	0.05	<b>4112200</b>	
300	0.02 mm	0.02 mm	0.05	<b>4112201</b>	<b>4112220</b>
300 (12")	<b>.001"</b>	0.02 mm	0.05		<b>4112230</b>
500	0.02 mm	0.02 mm	0.06		<b>4112221</b>
500 (20")	<b>.001"</b>	0.02 mm	0.06		<b>4112231</b>
500	0.05 mm	0.05 mm	0.07	<b>4112210</b>	
800	0.02 mm	0.02 mm	0.08		<b>4112222</b>
800 (32")	<b>.001"</b>	0.02 mm	0.08		<b>4112232</b>
800	0.05 mm	0.05 mm	0.10	<b>4112211</b>	
1000	0.02 mm	0.02 mm	0.08		<b>4112223</b>
1000 (40")	<b>.001"</b>	0.02 mm	0.08		<b>4112233</b>
1000	0.05 mm	0.05 mm	0.12	<b>4112212</b>	
1500	0.02 mm	0.02 mm	0.10		<b>4112224</b>
1500 (60")	<b>.001"</b>	0.02 mm	0.10		<b>4112234</b>
1500	0.05 mm	0.05 mm	0.18	<b>4112213</b>	
2000	0.02 mm	0.02 mm	0.12		<b>4112225</b>
2000 (80")	<b>.001"</b>	0.02 mm	0.12		<b>4112235</b>
2000	0.05 mm	0.05 mm	0.22	<b>4112214</b>	



#### Dimensions

mm/inch	a	b	c	e	f
200/8	5/ .2	10/ .40	80/ 3.1	310/ 12	20 x 5/ .80 x .20
300/12	5/ .2	10/ .40	90/ 3.5	410/ 16	20 x 5/ .80 x .20
500/20	10/ .4	19/ .75	150/ 6.0	675/ 26	25 x 6/ 1.0 x .23
800/32	10/ .4	19/ .75	150/ 6.0	985/ 38	30 x 7/ 1.2 x .29
1000/40	10/ .4	19/ .75	150/ 6.0	1185/ 46	30 x 7/ 1.2 x .29
1500/60	15/ .6	19/ .75	200/ 8.0	1760/ 69	40 x 8/ 1.5 x .31
2000/80	15/ .6	19/ .75	200/ 8.0	2270/ 89	45 x 10/ 1.8 x .40