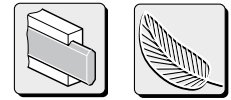


Digital Caliper 18 ESA lightweight construction



Features

Functions:

- ON/OFF
- RESET (Zero setting)
- mm/inch
- HOLD (storage of measured values)
- DATA (Data transmission)

- Dirt wipers are integrated in the slide
- Max measuring speed 1.5 m/sec (60"/sec)
- Data output: Opto RS232C (only 300 mm version)
- High contrast Liquid Crystal Display with 6 mm or 10.5 mm high digits

- To reduce the overall weight the slide and beam are made from aluminum and are coated with a hard anodized surface coating (1100HV)
- Measuring faces are made of hardened stainless steel
- Prisma guide ways for a more smooth and even movement

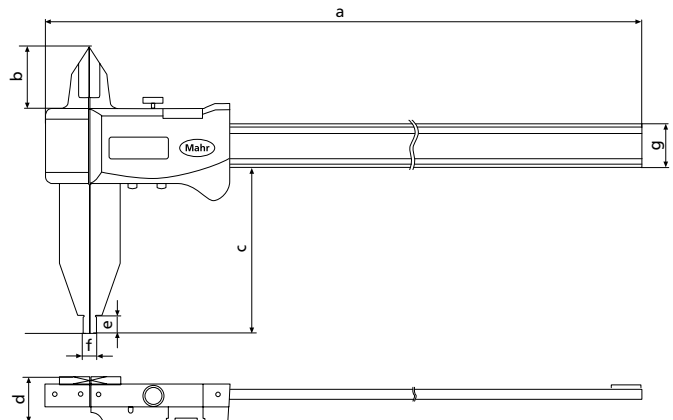
- Measuring blades for outside measurement
- Rounded measuring faces for inside measurement
- Locking screw
- Supplied with: Case

Technical Data

Measuring range	Resolution	Error limit	RS232C	Weight	Order no.
300 (12")	0.01/ .0005"	0.03/ .0015"	•	0.5	4112620
500 (20")	0.01/ .0005"	0.03/ .0015"	-	1.4	4112621
800 (32")	0.01/ .0005"	0.07/ .0025"	-	1.6	4112622
1000 (40")	0.01/ .0005"	0.08/ .0032"	-	1.8	4112623

Dimensions

mm	a	b	c	d	e	f	g
300	450.5/17.7	33/1.3	90/3.5	24.5/0.9	10/ .4	10/ .4	25/0.9
500	726/28.6	42/1.7	150/6.0	33.5/1.3	15/0.5	20/ .8	31.9/1.3
800	1006/39.6	42/1.7	150/6.0	33.5/1.3	15/0.5	20/ .8	31.9/1.3
1000	1026/40.3	42/1.7	150/6.0	33.5/1.3	15/0.5	20/ .8	31.9/1.3



Accessories

	Order no.
Battery 3V, Type CR 2032	4102520
Data Connection Cable Opto RS232C (2 m), with SUB-D jack 9-pin	16 ESv 4102510

Accessories for Data Processing see Chapter 11