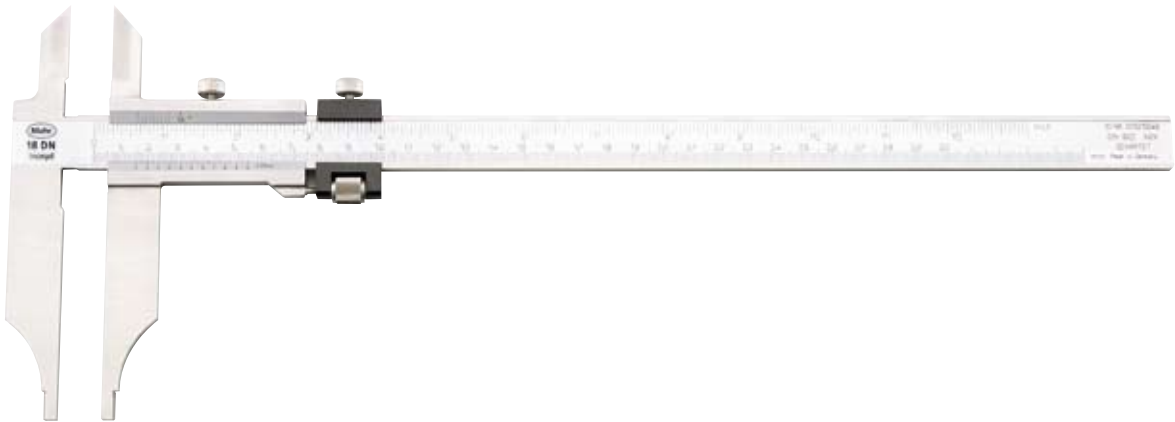


Vernier Caliper 18 DN with measuring blades for outside measurement

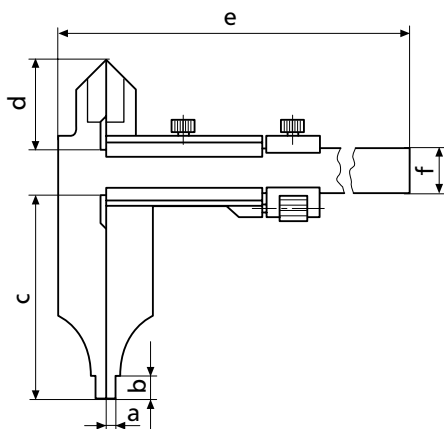


Features

- Vernier and main scale have a satin chrome finish for glare free reading
- Slide and beam made of hardened stainless steel
- Rounded measuring faces for inside measurement
- Supplied with: up to 1000 mm delivered with a case, over 1000 mm individually packed
- Raised guide ways for the protection of the scale
- Locking screw

Technical Data

Measuring range mm	Resolution		Error limit G mm	Order no.	Remarks
	upper mm	lower mm			
200	0.05	0.05	0.05	4113200	} without fine adjustment
300	0.05	0.05	0.05	4113201	
500	0.05	0.05	0.07	4113202	
800	0.05	0.05	0.10	4113203	
1000	0.05	0.05	0.12	4113204	
1500	0.05	0.05	0.18	4113205	
2000	0.05	0.05	0.22	4113206	
200	0.02	0.02	0.05	4113300	} with fine adjustment
300	0.02	0.02	0.05	4113301	
500	0.02	0.02	0.06	4113302	
800	0.02	0.02	0.08	4113303	
1000	0.02	0.02	0.08	4113304	



Dimensions

mm		a	b	c	d	e	f
18 DN	200 mm	5	10	80	40	310	20 x 5
	300 mm	5	10	90	40	410	20 x 5
	500 mm	10	19	150	60	675	25 x 6
	800 mm	10	19	150	65	985	30 x 7
	1000 mm	10	19	150	67	1185	30 x 7
	1500 mm	15	19	200	86	1760	40 x 8
	2000 mm	25	19	200	96	2270	45 x 10